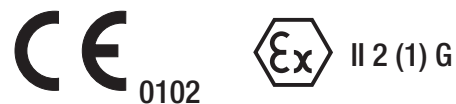


SINEAX VK 616, Programmable Temperature Transmitter for RTD and TC Inputs

for installation in the terminal head of a temperature sensor DIN 43 729, shape B



Application

SINEAX VK 616 is a two-wire head-mounted transmitter. It is designed for **measuring temperature in combination with thermocouples or resistance thermometers**. Thermocouple non-linearities are automatically compensated. The output signal is a current in the range 4...20 mA.

The input variable and measuring range are programmed with the aid of a PC and the corresponding software.

The sensor circuit is monitored for open and short-circuits and the output responds in a defined manner if one is detected.

The power supply of (12...30 V DC) is connected together with the signal by the two leads connected to the measurement output (loop powered).



Fig. 1. Measuring transmitter SINEAX VK 616 – 71/73, input/output **not** electrically isolated.



Fig. 2. Measuring transmitter SINEAX VK 616 – 72/74 input/output electrically isolated.

Features / Benefits

- **Input variable and measuring range programmed using PC / Simplifies project planning and engineering, short delivery times, low stocking levels**

Measured variables	Measuring ranges		
	Limits	Min. span	Max. span
Temperatures with resistance thermometers for two, three or four-wire connection			
Pt 100, IEC 60 751	- 200 to 850 °C	50 K	850 K
Ni 100, DIN 43 760	- 60 to 250 °C	50 K	250 K
Temperatures with thermocouples			
Type B, E, J, K, N, R, S, T acc. to IEC 60 584-1	acc. to type	2 mV	80 mV
Type L and U, DIN 43 710			
Type W5 Re/W26 Re, Type W3 Re/W25 Re acc. to ASTM E 988-90			

- **Optionally with or without electrical isolation between input and output / Prevents measurement errors due to potential leakage**
- **Open and short-circuit sensor circuit supervision / Defined output response should the supervision pick up**
- **Programmable with or without power supply connection**

- **Terminals with captive screws**
- **Available in type of protection "Intrinsic safety" EEx ia IIC T6** (see "Table 6: Data on explosion protection")

Basic configuration:	Measuring input	Pt 100 for three-wire connection
	Measuring range	0 ... 600 °C
	Measuring output:	4 ... 20 mA, linearised with temperature
	Open-circuit supervision:	Output 21.6 mA
	Response time:	Approx. 1.5/2 s (Table 3)
	Mains ripple suppression:	For frequency 50 Hz

SINEAX VK 616, Programmable Temperature Transmitter for RTD and TC Inputs

Standard versions

The following versions are available as standard versions already programmed for the **basic** configuration. It is only necessary to quote the **Order No.:**

Table 1: Standard (non-Ex) version

Version	Dimensions Ø 43 mm	Order No.
Not electrically isolated	Height 16.8 mm	137 845
Electrically isolated	Height 30.8 mm	137 861

Table 2: Version EEx ia IIC T6

Version	Dimensions Ø 43 mm	Order No.
Not electrically isolated	Height 16.8 mm	137 853
Electrically isolated	Height 30.8 mm	137 879

Please complete the Order Code 616-7.1. according to "Table 4: Specification and ordering information" for versions with user-specific input ranges.

Programming

A PC, the programming cable PK 610 plus ancillary cable and the programming software V 600 *plus* are required to program the transmitter. (Details of the programming cable and the software are to be found in the separate data sheet: PK 610 Le.)

The connections between "PC ↔ PK 610 ↔ SINEAX VK 616" can be seen from Fig. 3. The transmitter can be programmed either with or without the power supply connected.

The software V 600 *plus* is supplied on one CD and runs under Windows 3.1x, 95, 98, NT and 2000.

The programming cable PK 610 adjusts the signal level between the PC and the transmitter SINEAX VK 616.

The programming cable PK 610 is used for programming both standard and Ex versions.

It is possible to programme the temperature transmitter installed into the hazardous area.

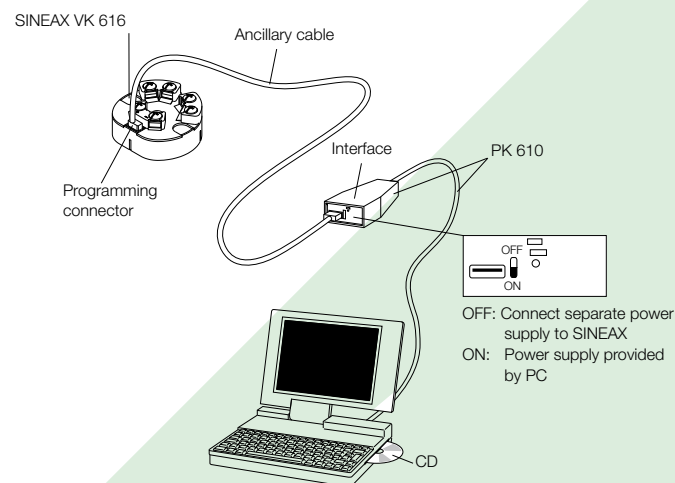


Fig. 3. Example of the set-up for programming a SINEAX VK 616 without the power supply. For this case the switch on the interface must be set to "ON".

Technical Data

Measuring input →

Temperature with resistance thermometers

- Measuring range limits: See table 5
- Resistance types: Type Pt 100 (IEC 60 751)
Type Ni 100 (DIN 43 760)
Other sensor types configurables
- Measuring current: ≤ 0.20 mA
- Standard circuit: 1 resistance thermometer for **two-, three- or four-**wire connection
- Input resistance: $R_i > 10 \text{ M}\Omega$
- Lead resistance: ≤ 30 Ω per lead

Temperature with thermocouple

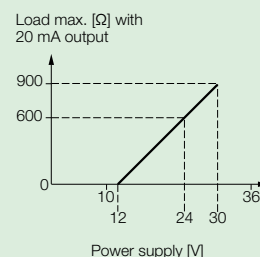
- Measuring range limits: See table 5
- Thermocouple pairs: Type B: Pt30Rh-Pt6Rh (IEC 584)
Type E: NiCr-CuNi (IEC 584)
Type J: Fe-CuNi (IEC 584)
Type K: NiCr-Ni (IEC 584)
Type L: Fe-CuNi (DIN 43710)
Type N: NiCrSi-NiSi (IEC 584)
Type R: Pt13Rh-Pt (IEC 584)
Type S: Pt10Rh-Pt (IEC 584)
Type T: Cu-CuNi (IEC 584)
Type U: Cu-CuNi (DIN 43710)
Type W5 Re/W26 Re (ASTM E 988-90)
Type W3 Re/W25 Re (IEC 584)
- Standard circuit: 1 thermocouple, **internal** cold junction compensation with built-in Pt100 or 1 thermocouple, **external** cold junction compensation
- Input resistance: $R_i > 10 \text{ M}\Omega$

Cold junction compensation:

- Internal: With built-in Pt 100 or with Pt 100 connected to the terminals
- External: Via cold junction thermostat 0 ... 60 °C, configurable

Measuring output →

- Output signal I_A : Impressed DC current, **linear with temperature**
- Standard range: 4...20 mA, 2-wire technique
- External resistance (load): $R_{\text{ext max.}} [\text{k}\Omega] = \frac{\text{Power supply [V]} - 12 \text{ V}}{\text{Max. output current [mA]}}$



SINEAX VK 616, Programmable Temperature Transmitter for RTD and TC Inputs

Residual ripple in output current: < 1% p.p.

Table 3: Response time

Measuring mode	Open sensor circuit	Short-circuit	Possible response times approx. [s]							
			*)	Option						
TC int. comp.	aktive	–	1.5	2.5	3.5	6.5	11	20.5	40	
TC int. comp.	off	–	1.5	2.5	3.5	6.5	13.5	24.5	49.5	
TC ext. comp.	aktive	–	1.5	2.5	3.5	6.5	11	20.5	40	
TC ext. comp.	off	–	1.5	2.5	4	6.5	13.5	24.5	48.5	
RTD 2L	aktive	–	2	2.5	3	5	9.5	17.5	33.5	
RTD 3L, 4L	aktive	aktive	2	2.5	4	6.5	11.5	21	40.5	
RTD 2L,3L,4L	off	off	1.5	2.5	3.5	7.5	14	26.5	50.5	

*) Standard values, also valid for basic configuration

Programming connector

Interface: Serial interface

Accuracy data (acc. to EN/IEC 60 770-1)

Reference value: Measuring span

Basic accuracy: Error limits $\leq \pm 0.2\%$ at reference conditions

Reference conditions

Ambient temperature: 23 °C

Power supply: 18 V DC

Output burden: 250 Ω

Settings: Pt100, 3-wire, 0...600 °C

Additional errors (additive)

Low measuring ranges

Voltage measurement: $\pm 5 \mu\text{V}$ at measuring spans < 10 mV

Resistance thermometer: $\pm 0.3 \text{ K}$ at measuring spans < 400 °C

Thermocouple:

Type U, T, L, J, K, E $\pm 0.1 \text{ K}$ at measuring spans < 200 °C

Type N $\pm 0.13 \text{ K}$ at measuring spans < 320 °C

Type S, R $\pm 0.42 \text{ K}$ at measuring spans < 1000 °C

Type B $\pm 0.6 \text{ K}$ at measuring spans < 1400 °C

High initial value: (Additional error = Factor · Initial value) Factor

Voltage measurement: $\pm 0.1 \mu\text{V} / \text{mV}$

Resistance thermometer: $\pm 0.00075 \text{ K} / \text{°C}$

Thermocouple:

Type U, T, L, J, K, E $\pm 0.0006 \text{ K} / \text{°C}$

Type N $\pm 0.0008 \text{ K} / \text{°C}$

Type S, R $\pm 0.0025 \text{ K} / \text{°C}$

Type B $\pm 0.0036 \text{ K} / \text{°C}$

Influence of lead resistance at resistance thermometer: $\pm 0.01\%$ per Ω

Internal cold junction compensation: $\pm 0.5 \text{ K}$

Linearisation: $\pm 0.3\%$

Influencing factors

Temperature: $\leq \pm (0.15\% + 0.15 \text{ K})$ per 10 K with temperature measurement
 $\leq \pm (0.15\% + 12 \mu\text{V})$ per 10 K with voltage measurement

Power supply influence (power supply on terminals): $\leq \pm 0.005\%$ per V

Long-time drift: $\leq \pm 0.1\%$

Common and transverse mode influence: $\leq \pm 0.2\%$

Open and short-circuit sensor circuit supervision

Signalling modes: Output signal programmable to...
 ... the value the output had immediately prior to the open or short-circuit (hold value)
 ... a value between 4 and 21.6 mA

Power supply →

DC voltage: Supply 12...30 V DC
 max. residual ripple 1% p.p.
 (supply must not fall below 12 V)
 Protected against wrong polarity

Installation data

Dimensions: See section "Dimensional drawings"

Housing: Lexan 940 (polycarbonate)
 Flammability class V-0 acc. to UL 94, self-extinguishing, non-dripping, free of halogen

Mounting position: Any

Electrical connections: Screw terminals with Philips heads for max. $2 \times 1.5 \text{ mm}^2$

Weight: Approx. 50 g

Mounting: Shape B version of terminal head held by two M4 cheese-headed screws and two springs

Standards

Electromagnetic compatibility: The standards EN 50 081-2 und EN 50 082-2 are observed

Intrinsically safe: Acc. to EN 50 020

Protection (acc. to IEC 529 resp. EN 60 529): Housing IP 40
 Terminals IP 00

SINEAX VK 616, Programmable Temperature Transmitter for RTD and TC Inputs

Electrical standards:	Acc. to IEC 1010 resp. EN 61 010	Ambient temperature range:	– 25 to + 80 °C at NEx and Ex (T4)
Test voltage:	1500 V AC for electrically isolated version, applied between measuring input and output		at Ex (T6) dependent of Pi, see EC-type-examination Certificate
Ambient conditions		Storage temperature range:	– 40 to + 80 °C
IEC 68-1-1/-2/-3/-6/-27 resp. EN 60 068-2-1/-2/-3/-6/-27	Ambient tests - 1 Cold, - 2 Dry heat, - 3 Damp heat, - 6 Vibration, - 27 Shock	Annual mean relative humidity:	≤ 75%, no moisture condensation
		Altitude:	2000 m max.
		Indoor use statement	

Table 4: Specification and ordering information (see also Table 1 and 2: Standard versions)

Features, Selection	Blocking code	no-go with blocking code	Article No./ Feature
Order Code 616 – xxxx xxxx xxx			616 –
1. Housing For installation in a terminal head DIN 43 729, shape B			7
2. Version Standard, not electrically isolated			1
Standard, electrically isolated			2
EEx ia IIC T6, not electrically isolated			3
EEx ia IIC T6, electrically isolated			4
3. Configuration Basic configuration, programmed, (Pt100, 3-wire, 0 ... 600 °C) All types with basic configuration are available as standard versions, see table 1 and 2, specification complete! Configured to order The following features 4 to 11 must be fully specified!	G		0
			1
4. Measuring unit Temperatures in °C			1
Temperatures in °F		G	2
Temperatures in K		G	3
5. Measuring mode, input connection Thermocouple Internal cold junction compensation, with built-in Pt100	T	G	1
External cold junction compensation t_k <input type="text"/>	T	G	2
Specify external cold junction temperature t_k (in °C, °F or K, acc. to specification in Feature 4), any value between 0 and 60 °C or equivalent.			
Resistance thermometer Two-wire connection R_L <input type="text"/> [Ω]	R	G	3
Specify total lead resistance R_L [Ω], any value between 0 and 60 Ω			
Three-wire connection, $R_L \leq 30 \Omega$ / wire	R		4
Four-wire connection, $R_L \leq 30 \Omega$ / wire	R	G	5

SINEAX VK 616, Programmable Temperature Transmitter for RTD and TC Inputs

Features, Selection	Blocking code	no-go with blocking code	Article No./ Feature
Order Code 616 – xxxx xxxx xxx			616 –
6. Sensor type / measuring range			
Sensor type / beginning ... end value of measuring range			
RTD Pt 100	Range		T
RTD Ni 100	Range		GT
RTD Pt ... [Ω]	Range		GT
RTD Ni ... [Ω]	Range		GT
TC Type B	Range		GR
TC Type E	Range		GR
TC Type J	Range		GR
TC Type K	Range		GR
TC Type L	Range		GR
TC Type N	Range		GR
TC Type R	Range		GR
TC Type S	Range		GR
TC Type T	Range		GR
TC Type U	Range		GR
TC W5-W26Re	Range		GR
TC W3-W25Re	Range		GR
Specify measuring range in [°C], [°F] or [K]; refer to table 5 for the operating limits for each type of sensor.			
Lines 3 and 4: Specify resistance in Ω at 0 °C, any value between 50 and 4000 Ω			
7. Output characteristic			
Standard 4 ... 20 mA			0
Inversely 20 ... 4 mA		G	1
8 Open and short-circuit sensor signalling			
Output response for an open or short-circuit* sensor			
Output 21.6 mA			0
Output (any value between 4 and < 21.6 mA)	[mA]		G
Hold output at last value		G	2
No signal		G	A
*) The short-circuit signal is only active for the RTD measuring mode $\geq 100 \Omega$ at 0 °C and three or four-wire connection.			
9. Output time response			
Standard setting time approx. 2 s			
Setting time (admissible values see Table 3)	[s]		G
10. Mains ripple suppression			
Frequency 50 Hz			
Frequency 60 Hz			
11. Test certificate			
Without test certificate			
Test certificate in German			
Test certificate in English			

Lines with letter(s) under "no-go" cannot be combined with preceding lines having the same letter under "Blocking code".

SINEAX VK 616, Programmable Temperature Transmitter for RTD and TC Inputs

Table 5: Temperature measuring ranges

Measuring ranges [°C]	Resistance thermometers		Thermocouples											
	Pt100	Ni100	B	E	J	K	L	N	R	S	T	U	C ¹⁾	D ²⁾
0... 40	X			X	X		X							
0... 50	X	X		X	X	X	X				X	X		
0... 60	X	X		X	X	X	X				X	X		
0... 80	X	X		X	X	X	X	X			X	X		
0... 100	X	X		X	X	X	X	X			X	X		
0... 120	X	X		X	X	X	X	X			X	X		
0... 150	X	X		X	X	X	X	X			X	X	X	
0... 200	X	X		X	X	X	X	X			X	X	X	X
0... 250	X	X		X	X	X	X	X			X	X	X	X
0... 300	X			X	X	X	X	X	X	X	X	X	X	X
0... 400	X			X	X	X	X	X	X	X	X	X	X	X
0... 500	X			X	X	X	X	X	X	X		X	X	X
0... 600	X			X	X	X	X	X	X	X		X	X	X
0... 800	X		X	X	X	X	X	X	X	X			X	X
0... 900			X	X	X	X	X	X	X	X			X	X
0...1000			X	X	X	X		X	X	X			X	X
0...1200			X		X	X		X	X	X			X	X
0...1500			X						X	X			X	X
0...1600			X						X	X			X	X
0...1800			X										X	X
0...2000													X	X
50... 150	X	X		X	X	X	X	X			X	X		
100... 300	X			X	X	X	X	X			X	X	X	X
200... 500	X			X	X	X	X	X	X	X		X	X	X
300... 600	X			X	X	X	X	X	X	X		X	X	X
600... 900			X	X	X	X	X	X	X	X			X	X
600...1000			X	X	X	X		X	X	X			X	X
900...1200			X		X	X		X	X	X			X	X
600...1600			X						X	X			X	X
600...1800			X										X	X
-10... 40	X	X		X	X	X	X					X		
-30... 60	X	X		X	X	X	X	X			X	X		
Measuring range limits [°C]	-200 to 850	-60 to 250	0 to 1820	-270 to 1000	-210 to 1200	-270 to 1372	-200 to 900	-270 to 1300	-50 to 1769	-50 to 1769	-270 to 400	-200 to 600	0 to 2315	0 to 2315
	ΔR min. 15 Ω at final value ³⁾ $\leq 400 \Omega$ ΔR min. 150 Ω at final value $> 400 \Omega$ max. final value 4000 Ω Initial value $\frac{\text{value}}{\Delta R} \leq 10$		ΔU min. 2 mV, max. 80 V $\frac{\text{Initial value}}{\Delta U} \leq 10$											

¹⁾ W5 Re W26 Re (ASTM E 988-90)

²⁾ W3 Re W25 Re (ASTM E 988-90)

³⁾ For two-wire connection, the final value is made up of the measured final value [Ω] plus the total resistance of the leads.

SINEAX VK 616, Programmable Temperature Transmitter for RTD and TC Inputs

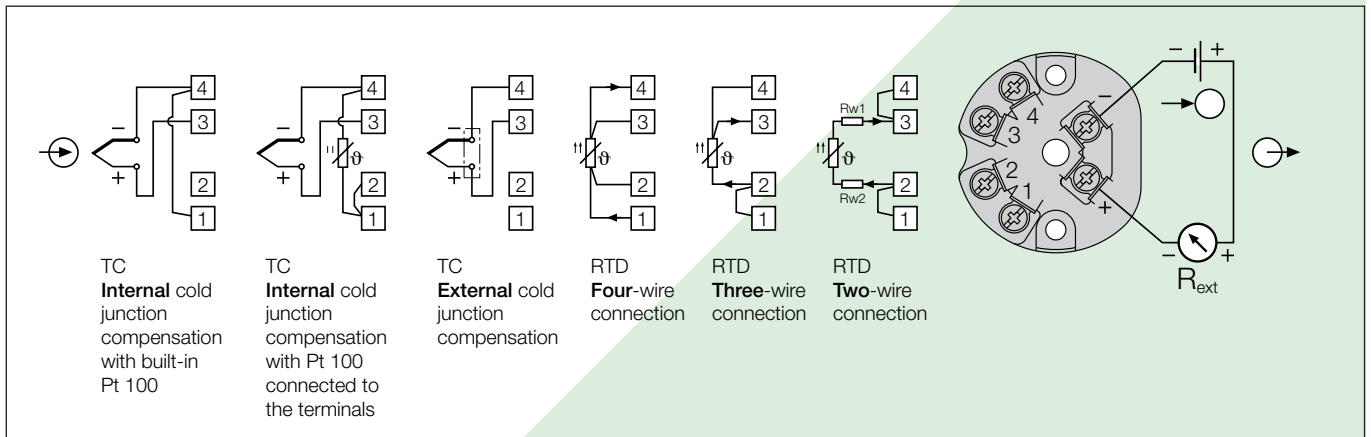
Table 6: Data on explosion protection  **II 2 (1) G**



Order Code	Type of protection Marking	Electrical data acc. to Certificate		Certificate	Mounting location
		Sensor input	Output of device		
616 - 73	EEx ia IIC T6	$U_o = 6\text{ V}$ $I_o = 15\text{ mA}$ $P_o = 39\text{ mW}$ $C_o = 990\text{ nF}$ $L_o = 5\text{ mH}$	$U_i = 30\text{ V}$ $I_i = 160\text{ mA}$ $P_i = \text{max. } 1\text{ W}^*$ $C_i = 0$ $L_i = 0$	EC-type-examination Certificate ZELM 99 ATEX 0010	Within the hazardous area, zone 1 and 2**
616 - 74	EEx ia IIC T6	$U_o = 6\text{ V}$ $I_o = 8\text{ mA}$ $P_o = 26\text{ mW}$ $C_o = 1194\text{ nF}$ $L_o = 7\text{ mH}$	$U_i = 30\text{ V}$ $I_i = 160\text{ mA}$ $P_i = \text{max. } 1\text{ W}^*$ $C_i = 0$ $L_i = 0$	EC-type-examination Certificate ZELM 99 ATEX 0043	

* Ambient temperature Ex: $-25\text{ }^\circ\text{C}$... max. $57\text{ }^\circ\text{C}$ for type 616-73 resp. $50\text{ }^\circ\text{C}$ for type 616-74 (dependent on P_i , see EC-type-examination Certificate)

** It is permissible for the sensor circuit to enter zone 0, however, EN 50 284 and any applicable national standards must be observed.

Electrical connections



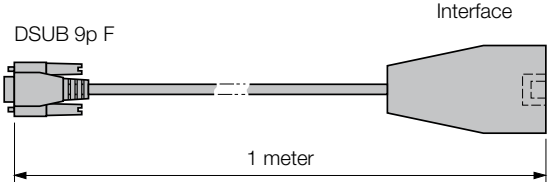
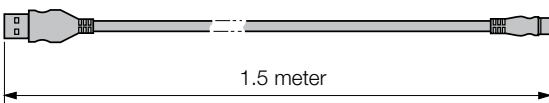
-  = Measuring input
-  = Two-wire measuring output (measuring circuit)
(4 ... 20 mA signal)
Power supply H 12 ... 30 V DC

Standard accessories

- 1 Operating Instructions in German, French and English
- 1 Type examination certificate (only for "intrinsically safe" explosion-proof devices)

SINEAX VK 616, Programmable Temperature Transmitter for RTD and TC Inputs

Table 7: Accessories and spare parts

Description	Order No.
Programming cable PK 610 	137 887
Ancillary cable for SINEAX type VK 616 	141 440
Configuration software V 600 plus for SINEAX VK 616, V 608 and V 624 Windows 3.1x, 95, 98, NT and 2000 on CD in German, English, French, Spanish, Italian and Dutch. (Download free of charge under http://www.camillebauer.com) In addition, the CD contains all configuration programmes presently available for Camille Bauer products.	146 557
Operating Instructions VK 616 Bd in German	137 902
Operating Instructions VK 616 Bf in French	142 076
Operating Instructions VK 616 Be in English	142 125

Dimensional drawings

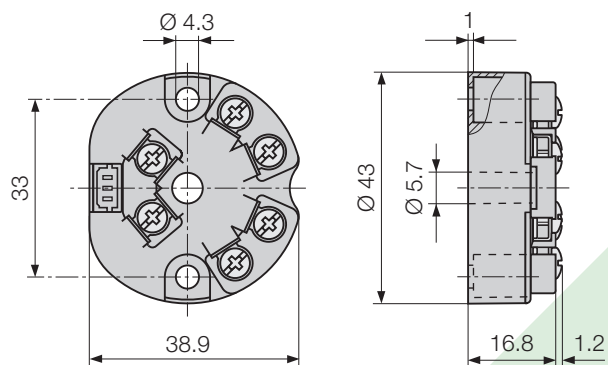


Fig. 4. SINEAX VK 616-71/73, input/output **not** electrically isolated.

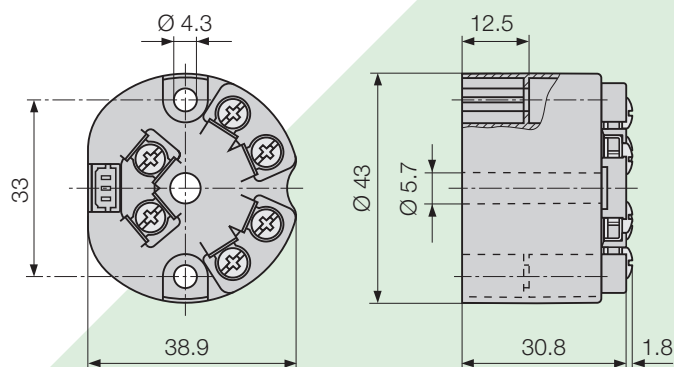


Fig. 5. SINEAX VK 616-72/74, input/output electrically isolated.

CAMILLE BAUER

Rely on us.

Camille Bauer Ltd
 Aargauerstrasse 7
 CH-5610 Wohlen / Switzerland
 Phone: +41 56 618 21 11
 Fax: +41 56 618 35 35
 e-mail: info@camillebauer.com
www.camillebauer.com