

# PRKAB 600, Programming Cable and Accessories for SINEAX, EURAX and SIRAX Instruments

## Application

The programming cable PRKAB 600 serves to connect the SINEAX/EURAX V 604/VC 603, SIRAX V 644 in standard and Ex version and SINEAX TV 809 (Ex version) transmitters to a PC on which the PC software VC 600 is installed for purposes of programming the transmitter. The cable also provides the electrical insulation between the PC and the transmitter. The data are transferred in a semiduplex mode.

The standard and Ex (explosion-proof "intrinsically safe" [EEx ia] IIC) versions of the SINEAX/EURAX V 604/VC 603, SIRAX V 644 and the Ex-version of the SINEAX TV 809 transmitters can be programmed using the PRKAB 600. The power supply for the transmitter must be switched on in order to program it.

The connections between PC ↔ PRKAB 600 ↔ SINEAX, EURAX and SIRAX can be seen from Fig. 1.

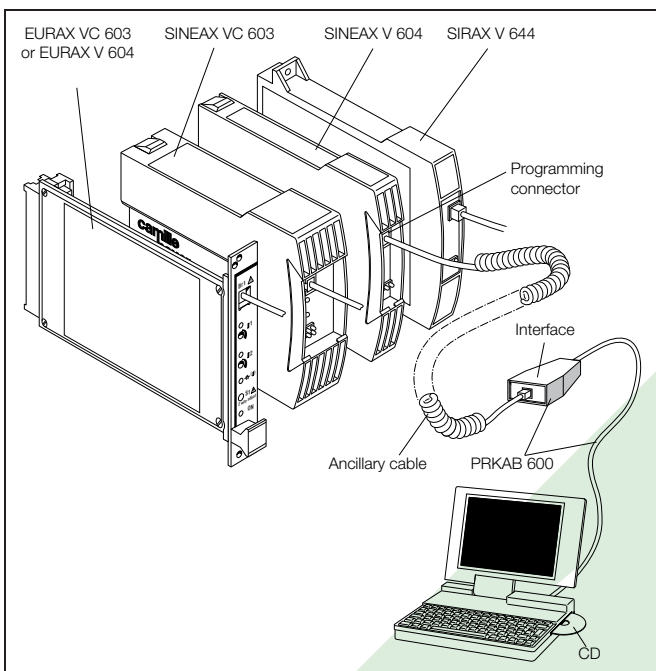


Fig. 1. Example for a connection for programming with a SINEAX V 604.



Fig. 2. Programming cable PRKAB 600.

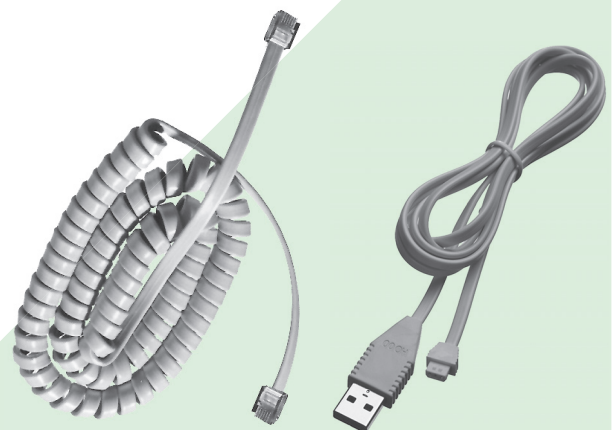


Fig. 3. Ancillary cable No. 988 058.

Fig. 4. Ancillary cable No. 143 587.



Fig. 5. Configuration software VC 600 on CD.

The electronic circuits convert the standard RS 232 C interface signals ( $\pm 10$  V) to TTL signals of 0/5 V which can be read by SINEAX/EURAX V 604/VC 603, SIRAX V 644 and SINEAX TV 809.

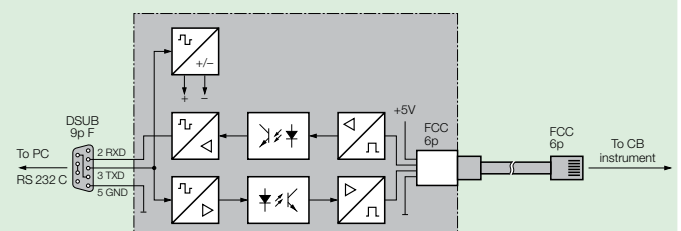


Fig. 6. Schematic diagram PRKAB 600.

# PRKAB 600, Programming Cable and Accessories for SINEAX, EURAX and SIRAX Instruments

## Technical data

### PC interface connector

Serial interface:	COM 1, 2, 3 or 4 (RS 232 C)
Sub-D connector:	9 pin
Data transfer ratio:	Between 1200...9600 baud, depending on PC software
Send signal level:	-5.6 V / + 5.6 V
Receive signal level:	-12...3 V / + 3...12 V
Power consumption:	Approx. 80 mW

### Transmitter programming connector

FCC-68 socket:	6/6 pin
Signal level:	TTL (0/5 V)
Power consumption:	Approx. 50 mW

### Transmitter connecting cable

FCC-68 6/6 pin connectors at both ends  
uncrossed

### Intrinsically safe

The PRKAB 600 programming cable is suitable for use with standard versions and explosion-proof "intrinsically safe" SINEAX/EURAX V 604/VC 603 and SIRAX V 644 transmitters [EEx ia] IIC and for explosion-proof version of SINEAX TV 809 transmitter.

Component certification: PTB 97 ATEX 2082 U

### Electric isolation

Between the serial interface on the PC and the transmitter  
Test voltage: 4 kV, 50 Hz, 1 min.

**Weight** Approx. 200 g

## Dimensional drawing

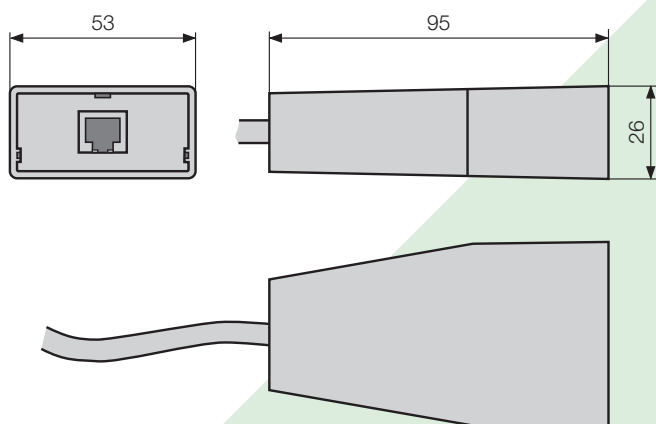
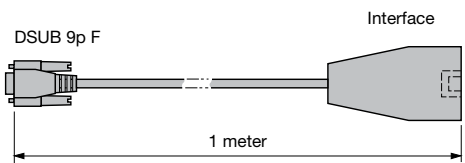
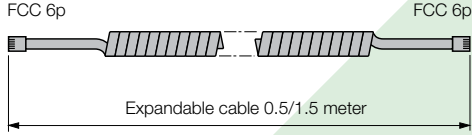
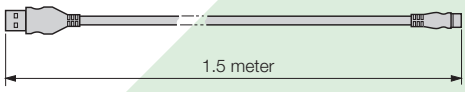


Fig. 7. Programming cable PRKAB 600..

## Accessories and spare parts

Description	Order No.
<b>Configuration software on CD</b> with all configuration programmes presently available for Camille Bauer products. <b>(Download free of charge under <a href="http://www.camillebauer.com">http://www.camillebauer.com</a>)</b>	146 557
<b>Programming cable PRKAB 600</b> for SINEAX/EURAX VC 603/V604, SIRAX V 644 and SINEAX TV 809 (Ex version) 	147 787
<b>Ancillary cable for SINEAX/EURAX VC 603/V604 and SIRAX V 644</b> 	988 058
<b>Ancillary cable for SINEAX TV 809</b> 	143 587
<b>Operating Instructions PRKAB 600 Bd-f-e</b>	991 259

**CAMILLE BAUER**

Rely on us.

Camille Bauer Ltd  
 Aargauerstrasse 7  
 CH-5610 Wohlen / Switzerland  
 Phone: +41 56 618 21 11  
 Fax: +41 56 618 35 35  
 e-mail: [info@camillebauer.com](mailto:info@camillebauer.com)  
[www.camillebauer.com](http://www.camillebauer.com)